


(Continued)

## 4 DTE & DCE Explained - DB9/DTE to DB9/DCE Straight Modem Cable


DTE DEVICE (COMPUTER) DB9			CONNECTIONS	DCE DEVICE (MODEM) DB9		
Pin#	RS-232 Signal Names	Signal	Signal Direction	Pin#	DB9 - RS-232 Signal Names	Signal
1	Carrier Detector (DCD)	CD	←	1	Carrier Detector (DCD)	CD
2	Received Data (RX)	RD	←	2	Received Data (RX)	RD
3	Transmit Data (TX)	TD	→	3	Transmit Data (TX)	TD
4	Data Terminal Ready	DTR	→	4	Data Terminal Ready	DTR
5	Signal Ground/Common (SG)	GND	—	5	Signal Ground/Common (SG)	GND
6	Data Set Ready	DSR	←	6	Data Set Ready	DSR
7	Request to Send	RTS	→	7	Request to Send	RTS
8	Clear to Send	CTS	←	8	Clear to Send	CTS
9	Ring Indicator	RI	←	9	Ring Indicator	RI
Soldered to DB9 Metal - Shield				Soldered to DB9 Metal - Shield		
		FGND				FGND

### Recommended Accessories

**DB9F to DB25M Serial Cable, 1.8m**  
Model BB-232CAM



**DB25M to DB25F Serial Cable, 1.8m**  
Model BB-232AMF5



**ADVANTECH**

1 (888) 948-2248 | Europe: +353 91 792444

[www.advantech.com](http://www.advantech.com)

707 Dayton Road | PO Box 1040 | Ottawa, IL 61350  
Phone: 1 (815) 433-5100 | Fax: 1 (815) 433-5109  
[www.advantech.com](http://www.advantech.com) | E-mail: [support@advantech-bb.com](mailto:support@advantech-bb.com)

## + QUICK START GUIDE



### BB-9PCDT

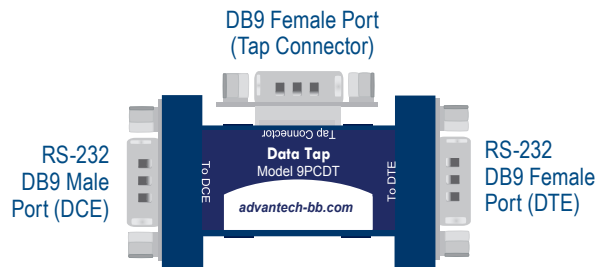
RS-232 9-Pin Data Tap

Before you begin, be sure you have the following:

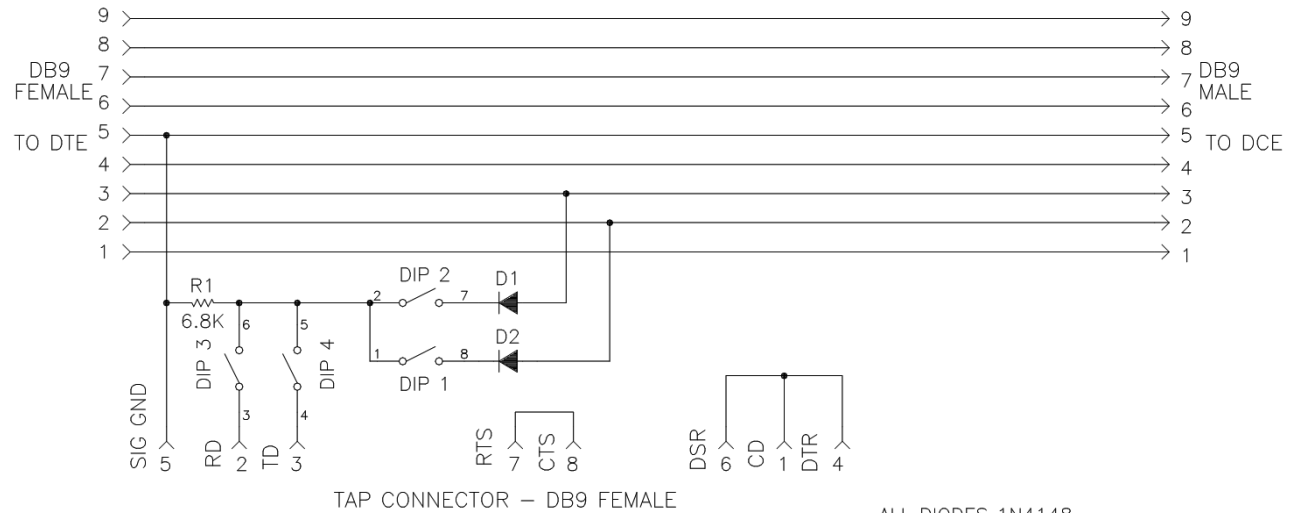
- + BB-9PCDT RS-232 Data Tap
- + Serial cable (not included)

**ADVANTECH**

# Product Overview



**Mode BB-9PCDT  
RS-232 9-Pin Data Tap**



TAP CONNECTOR – DB9 FEMALE

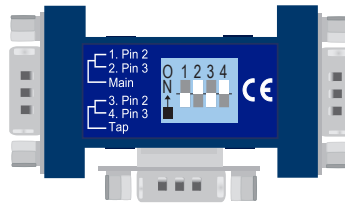
ALL DIODES 1N4148  
REV1—ADDED R1 FOR HIGHER BAUDRATE SUPPORT (UP TO 115.2K) NEWER PC HAD PROBLEM PULLING LINE DOWN OR TO -10V

## 1 | Inserting Into Your RS-232 Line

Model BB-9PCDT allows an RS-232 port to tap into and check the data being transmitted between two other RS-232 ports. Switches make it simple to choose between monitoring the DCE or DTE port. Model BB-9PCDT also allows the monitoring port to be either DTE or DCE.

- All nine lines are run straight through from the DCE to the DTE connectors.
- On the Tap Connector, RTS (Pin 7) is tied to CTS (Pin 8), and DSR (Pin 6) is tied to CD (Pin 1) and DTR (Pin 4).
- Signal Ground (Pin 5) is tied into the Signal Ground for the DCE and DTE connectors.

## 2 | DIP Switch Settings



SWITCH	DESCRIPTION
1	Monitor RD (Pin 2)
2	Monitor TD (Pin 3)
3	Tap Receives Data on Pin 2
4	Tap Receives Data on Pin 3

## 3 | RS-232 Connections

